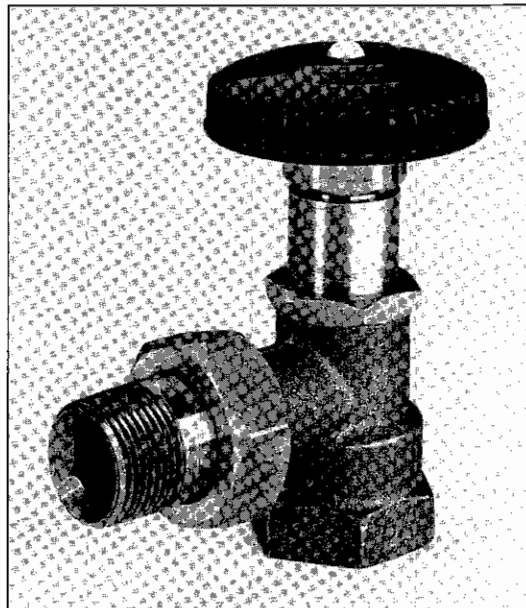


Features

- Simple, rugged construction
- Will seal tightly against steam at valve stem to prevent waste, using packless construction
- Roughing in dimensions match most common Variable-Vacuum valves for ease of installation
- Factory adjusted, tamper proof design, to ensure proper flow levels

Description

The Barnes & Jones AO Valve is designed for service on variable vacuum and low pressure steam heating systems operating from 25" vacuum to 25 PSIG. With a positive "open" and "closed" mode achieved in less than one turn, the AO makes accurate proportioning of steam to the radiation virtually effortless. When used in conjunction with Barnes & Jones steam traps, an evenly balanced distribution to the entire heating system will be achieved.



MATERIALS

Part	Description
Body	Bronze
Bonnet	Brass
Nut & Tailpiece	Brass
Valve Stem	Brass
Packing Nut	Brass
Packing Spring	Stainless Steel
Stop Stem	Brass
Orifice Cone	Brass

DIMENSIONS

MODEL NO.	PIPE SIZE	A	B	C	WEIGHT
AO	1/2"	2 1/4"	1 1/16"	3	1#
AO	3/4"	2 1/2"	1 1/4"	3	1 1/3#

CAPACITY

AO	1/2"	30 EDR
AO	3/4"	140 EDR

